

# COMBi-CB

The innovative and compact Combi-CB is designed to increase productivity, improve safety and help increase your storage capacity both indoors & outdoors.

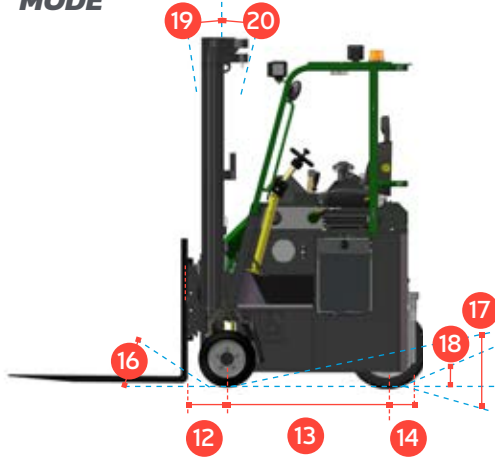
# COMBiLiFT

LIFTING INNOVATION

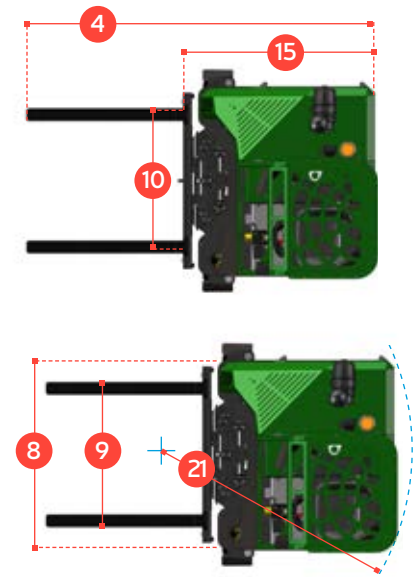
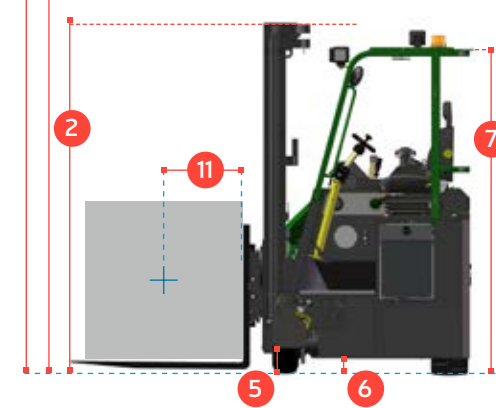


# COMBI-CB

## FRONTAL MODE



## SIWARD MODE



REF.	DESCRIPTION	CB5		CB6	
		Std.		Optional	
1 a	Standard. Lift Height	157"	193"	216"	236"
1 b	Free Lift Height	0"	52"	60"	67"
2	Height Mast Closed	105"	88"	96"	103"
3	Max. (Mast raised)	190"	228"	251"	270"
4	Overall Length	103"			
5	Ground Clearance Under Mast	5"			
6	Ground Clearance to Wheelbase Center	4"			
7	Height of Overhead Guard	88½"			
8	Width	59"			
9	Outside Spread of Fork Arms	52½"			
10	Track Front	52"			
11	Load Center Distance	24"			
12	Overhang Front	12½"			
13	Wheel Base	43½"			
14	Overhang Back	5½"			
15	Length From Face of Fork	61"			
16	Approach Angle	30°			
17	Ramp Angle	15°			
18	Departure Angle	30°			
19	Forward Tilt	3°			
20	Backward Tilt	6°			
21	Minimum Outside Radius	55"			
A	Capacity	5,000 lbs		6,000 lbs	
B	Unladen Weight	12,000 lbs		12,900 lbs	
C	Maximum Ground Speed	9 mph			
D	Gradeability	10%			
E	3 ltr GM LPG	65 HP			
F	Electrics	12 Volt			
G	Fork Section	5" x 2" x 42"			
H	16 x 7 – 10.5 Front Tire x 2	OD 16" / Width 7"			
I	22 x 10 x 16 Rear Tire x 1	OD 22" / Width 10"			
J	Standard Color	Green and Gray			
K	Suspension Seat	Grammer MSG 65			

rev. 2.1

## Multi-Directional



### Features Include:

- Open Cabin
- Multi-Direction Operation
- Load Sensing Steering
- 3 Wheel Hydrostatic Drive
- +/- 4" Sideshift
- 4-way lever positioning of Wheels

### Distributed by:

Protected by Design Registration Copyright: European Community No.: 000725668-0001; US No.: D579,624; Canadian No.: 123292 | Australian No.: 318370; Russian Federation No.: 70814 | Korean No.: 30-0516087; Japanese No.: 1330896; Taiwan No.: D126056; Chinese No.: ZL200730329732.6

COMBILIFT HAS A POLICY OF CONTINUOUS PRODUCT DEVELOPMENT AND RESERVES THE RIGHT TO ALTER SPECIFICATIONS WITHOUT PRIOR NOTICE. SPECIFICATIONS AND/OR DIMENSIONS MAY VARY FROM THOSE ILLUSTRATED IN SOME COUNTRIES.

303 CONCORD STREET,  
GREENSBORO,  
NORTH CAROLINA 27406

TOLL FREE: 1-877 COMBI 56  
TEL: 336-378-8884  
INFO@COMBILIFT.COM

combilift.com